

+ LoBotomy Clinic +

Intake Form: MakerBot CupCake CNC

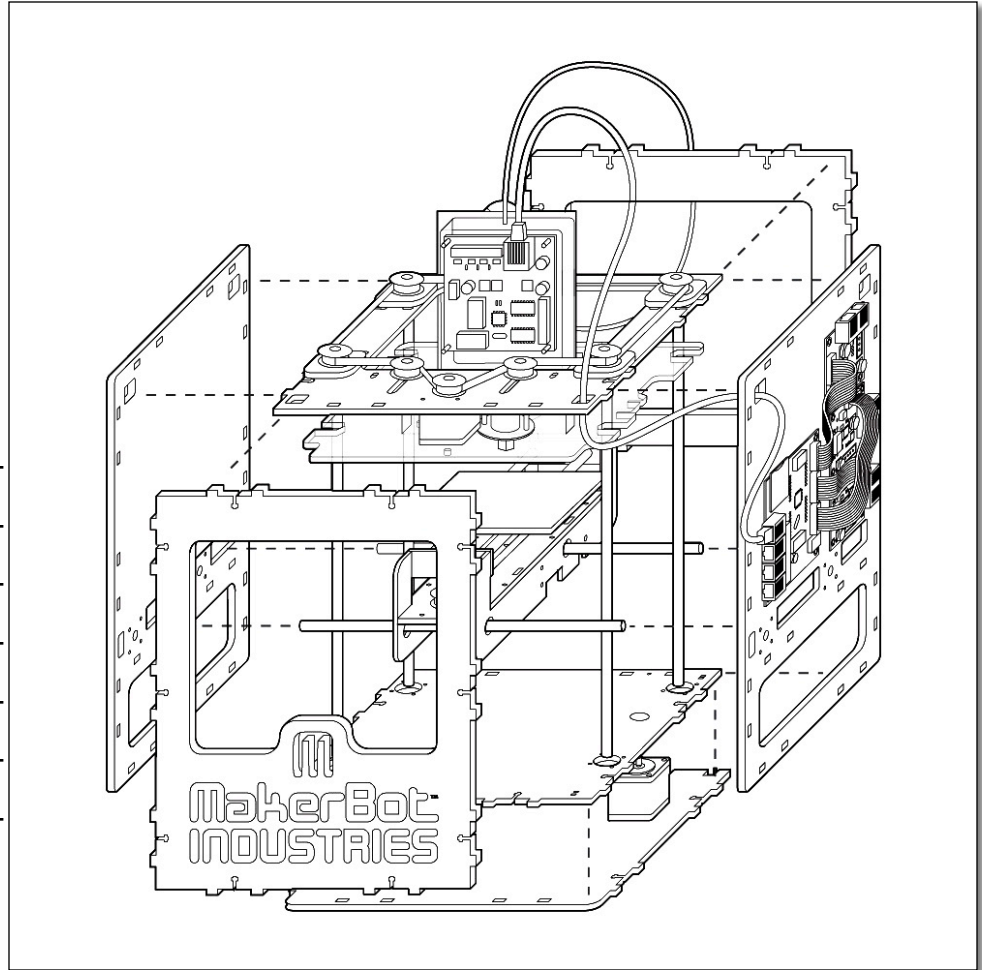
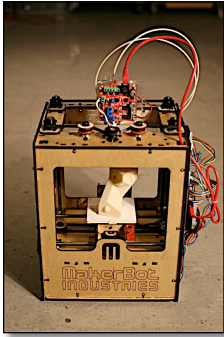
We are sad that you are not feeling well. Please answer the following questions, being as descriptive as possible (or get your parent or guardian to help).



1 Bot Name/Designation: _____ 2 Serial Number: _____

3 Parent or Guardian: _____ 4 Phone/email: _____

5 Please circle where it hurts:



6 Notes: _____

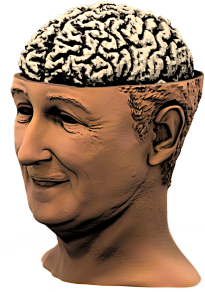
7 How can we help you today? Please be as descriptive as possible: _____

***** THIS SECTION FOR SERVICE VOLUNTEERS ONLY *****

Troubleshooting Steps Taken: _____

Diagnosis: _____ Recommendation: _____

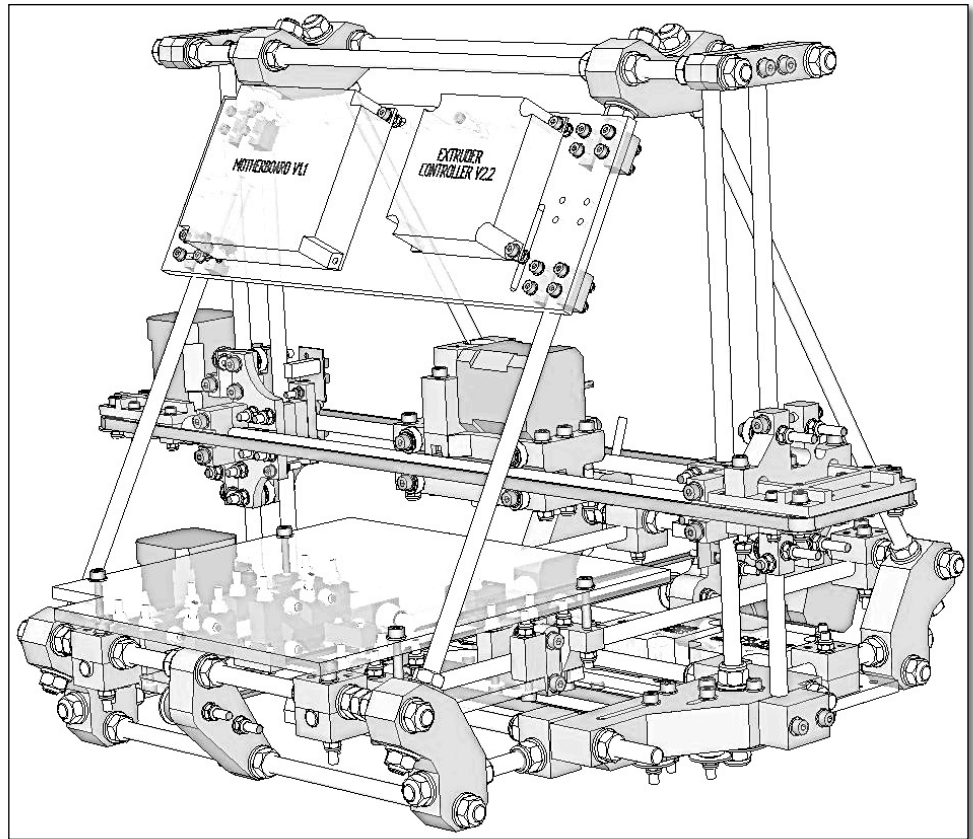
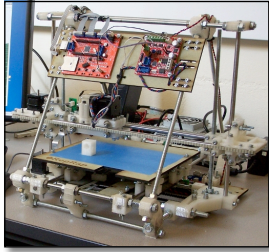
+ LoBotomy Clinic +



Intake Form: RepRap Mendel

We are sad that you are not feeling well. Please answer the following questions, being as descriptive as possible (or get your parent or guardian to help).

- 1 Bot Name/Designation: _____ 2 Assembly Date: _____
- 3 Parent or Guardian: _____ 4 Phone/email: _____
- 5 Please circle where it hurts:



- 6 Notes: _____
- _____
- _____
- _____
- _____
- _____

- 7 How can we help you today? Please be as descriptive as possible: _____
- _____
- _____
- _____
- _____
- _____

***** THIS SECTION FOR SERVICE VOLUNTEERS ONLY *****

Troubleshooting Steps Taken: _____

Diagnosis: _____ Recommendation: _____

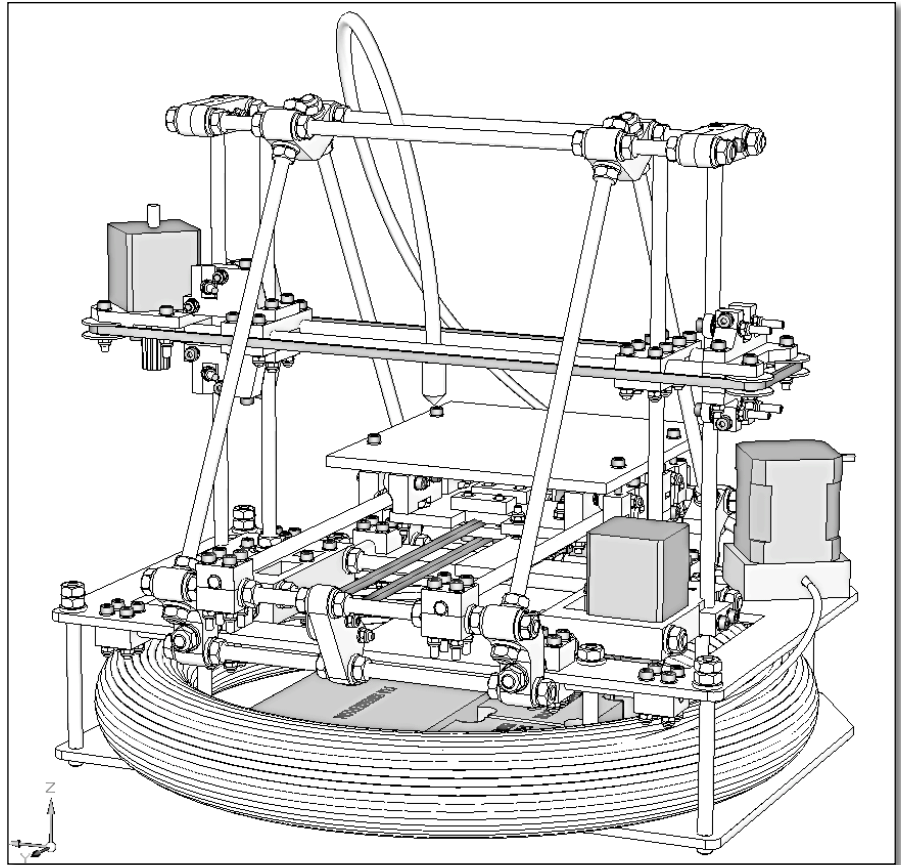
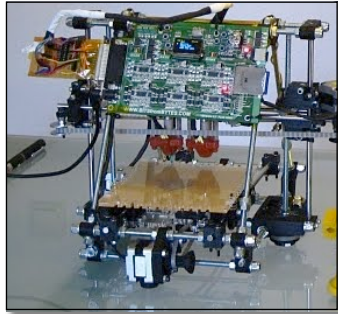
+ LoBotomy Clinic +



Intake Form: RepRap Huxley

We are sad that you are not feeling well. Please answer the following questions, being as descriptive as possible (or get your parent or guardian to help).

- 1 Bot Name/Designation: _____ 2 Assembly Date: _____
- 3 Parent or Guardian: _____ 4 Phone/email: _____
- 5 Please circle where it hurts:



- 6 Notes: _____
- _____
- _____
- _____
- _____
- _____

- 7 How can we help you today? Please be as descriptive as possible: _____
- _____
- _____
- _____
- _____
- _____

***** THIS SECTION FOR SERVICE VOLUNTEERS ONLY *****

Troubleshooting Steps Taken: _____

Diagnosis: _____ Recommendation: _____